

# Wood Post Mount Installation Instructions



**Step 1**– Lay out the location of the post.

- Install at least 3” of blocking under the mounting location.  
Securely attach the blocking using reinforcement screws.

**Step 2**– Using the leveling plate as a template mark the locations of the 4 mounting holes to be drilled.

- Drill 4 holes through the decking and blocking using a 3/8” diameter drill bit.

**Step 3**– Install the 4 leveling bolts into the post mount member.

- Place the leveling plate on the decking surface and align over the 4 drilled holes.

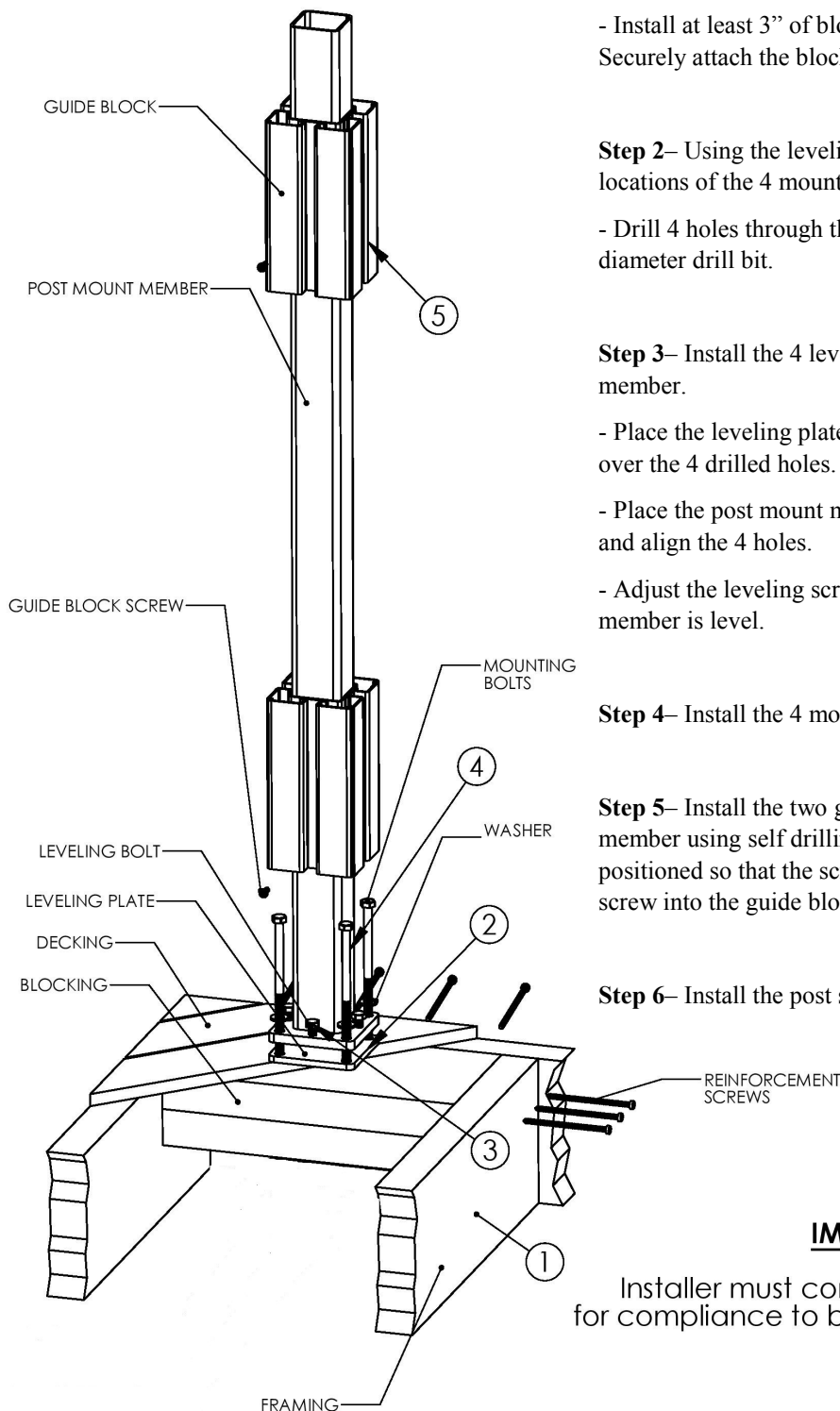
- Place the post mount member on top of the leveling plate and align the 4 holes.

- Adjust the leveling screws to ensure the post mount member is level.

**Step 4**– Install the 4 mounting bolts as shown

**Step 5**– Install the two guide blocks onto the post mount member using self drilling screws. They should be positioned so that the screws from the railing brackets will screw into the guide blocks.

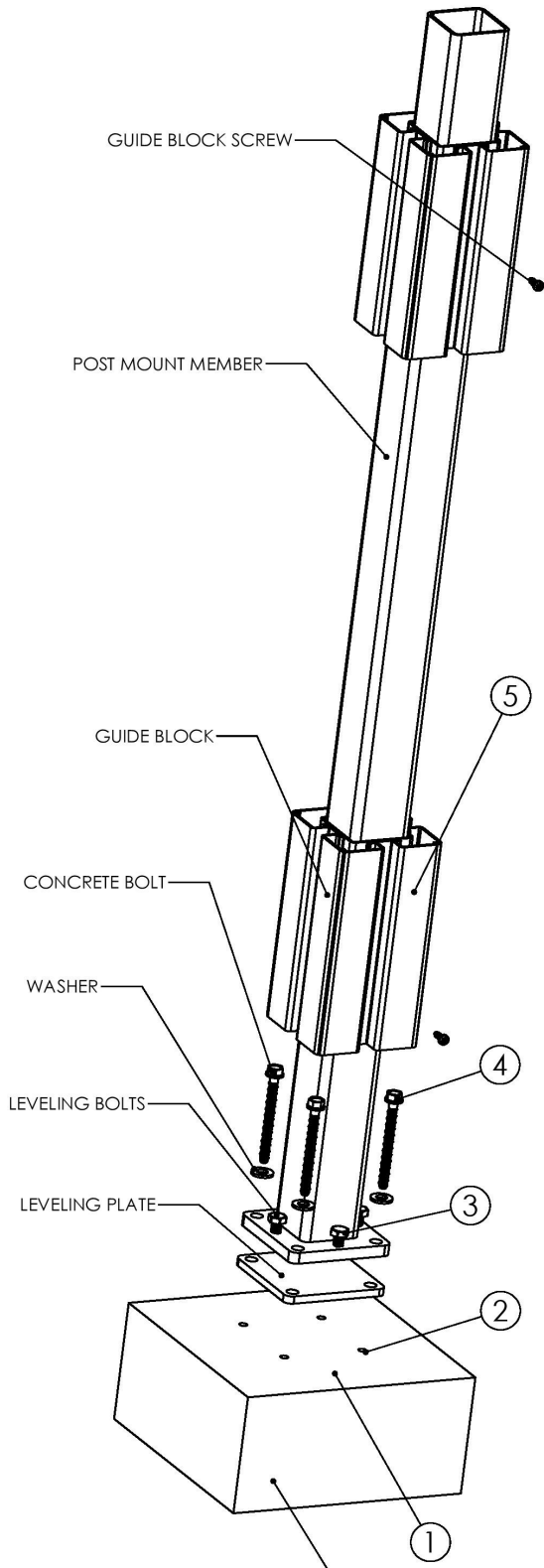
**Step 6**– Install the post sleeve over the guide blocks.



**IMPORTANT:**

Installer must consult local code officials for compliance to building code requirements.

# Concrete Post Mount Installation Instructions



**Step 1**– Lay out the location of the post.

**Step 2**– Using the leveling plate as a template mark the locations of the 4 mounting holes to be drilled.

- Drill 4 holes into the concrete using a masonry bit.
- Clean out the holes of all dust and debris.

**Step 3**– Install the 4 leveling bolts into the post mount member.

- Place the leveling plate on the decking surface and align over the 4 drilled holes.
- Place the post mount member on top of the leveling plate and align the 4 holes.
- Adjust the leveling screws to ensure the post mount member is level.

**Step 4**– Install 4 concrete anchors per manufacturers instructions.

**Step 5**– Install the two guide blocks onto the post mount member using self drilling screws. They should be positioned so that the screws from the railing brackets will screw into the guide blocks.

**Step 6**– Install the post sleeve over the guide blocks.

## **IMPORTANT:**

Installer must consult local code officials for compliance to building code requirements.