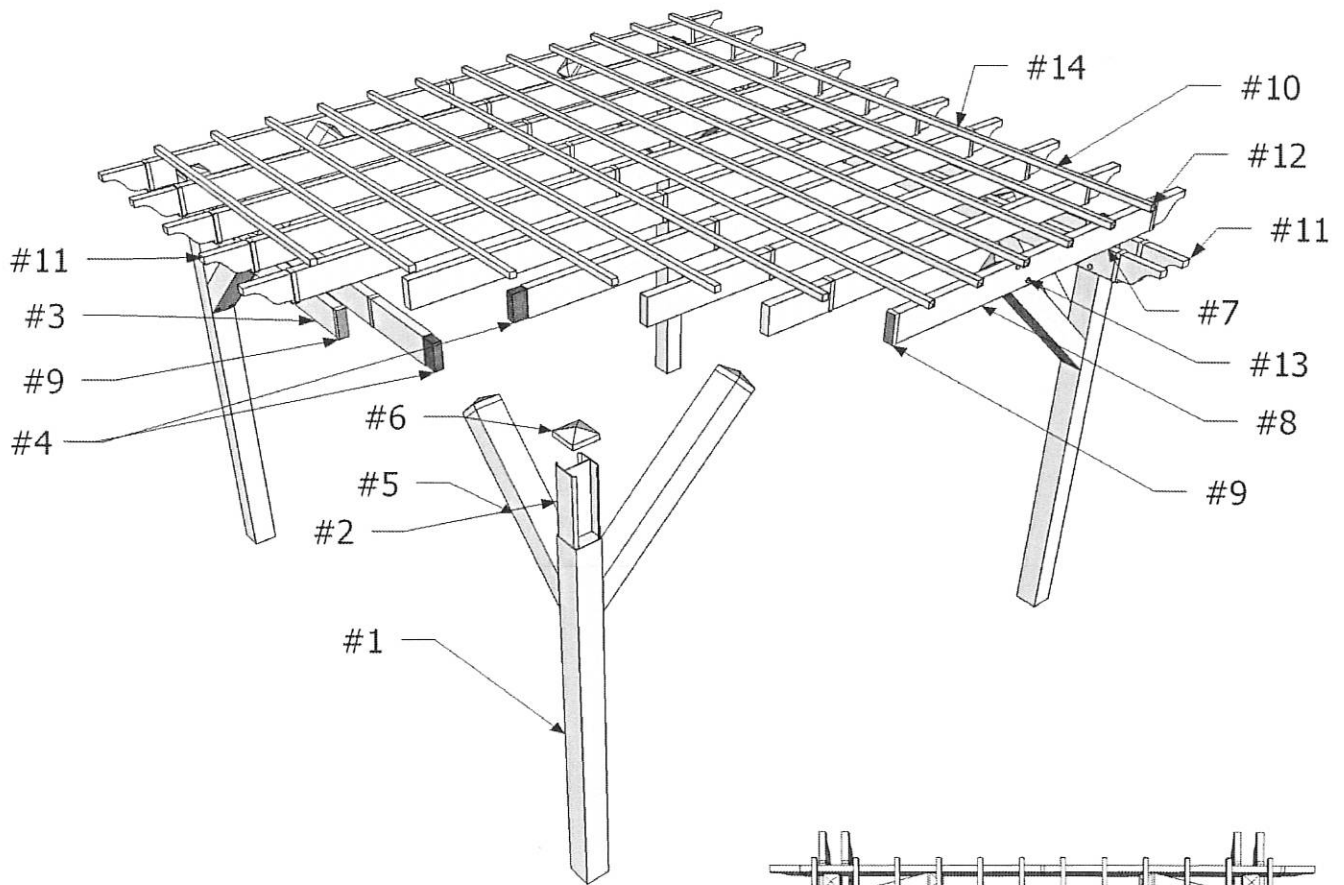
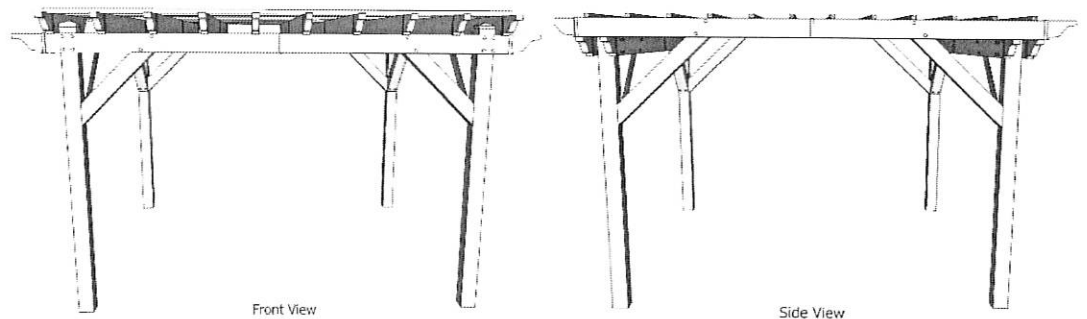
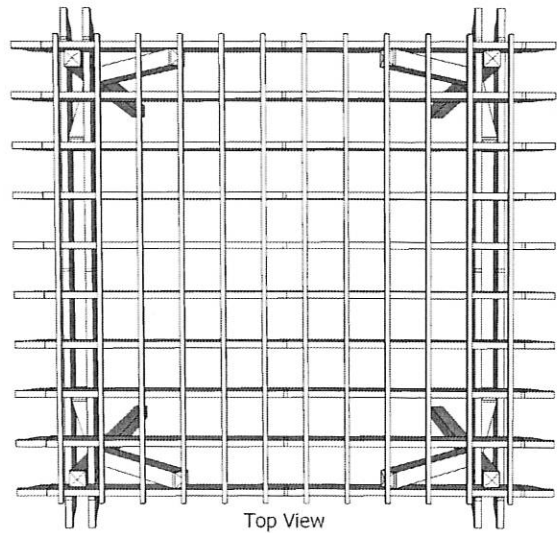


Standard 12' x 12' Pergola



1. Post Sleeve
2. Aluminum Post Stiffener (Optional)
3. Box Beam
4. Wood Insert (Provided by others)
5. Knee Brace
6. Post Cap
7. Rafter Clip
8. Joist
9. 2x6 Coupler
10. Lateral
11. Scalloped End Cap
12. Lateral Cap
13. 1" Plug
14. Neo Screw



Standard Pergola Installation Instructions

The following installation instructions apply to most installation situations, specific applications may require special assembly methods not covered in this instruction guide.

This product is not designed to carry additional weight loads such as swings, people, snow load, or other objects.

Please read all instructions before beginning.

1. Post sleeves cover the structural post used to support the pergola top. They can be 4x4, 5x5, 6x6 or 8x8 sleeves.
2. Aluminum post stiffeners can be cemented into the ground or you can use wood 4x4, 6x6 or 8x8 posts for support. (Wood posts not provided by JAM Systems)
3. Beams are usually 2x6 or 2x8. Install the double (box) beam to the posts by drilling 1" holes in the beam on the outside of where you plan to attach it to the posts. Going through the hole on the outside of the beam, screw, bolt or lag it to the posts. (This fastener is not provided.)
4. Beams over 8' require wood or LVL inserts for support and are typically spliced in the middle.
5. Knee braces are used to help prevent swaying of the pergola. They may be a 4x4, 5x5, 2x6 or 2x8 matching the post size and require a wood insert for strength. Cut bottom end at a 45 degree angle to fasten to the post and extend the top up between your double beam or joist and fasten through the sides of the beam or joists by drilling 1" holes in the side of the beam or joist, screw the beam or joist to the knee brace and cover the hole with a 1" plug.
6. Install caps on all posts and knee braces using UV resistant PVC cement.
7. Screw rafter clips to the beams with neo screws at every location that a joist will cross over a beam.
8. Set beam into rafter clips and fasten with neo screws on each side going through the leg of the rafter clip into the joist.
9. Joists over 8' are spliced. Joint can be covered with a 2x6 decorative coupler. Joists over 8' require wood inserts for support.
10. Optional top laterals (usually 1 3/8" x 1 3/8" pieces) are attached to the top of the beams using 2" neo screws.
11. Fasten the scalloped end caps and the lateral end caps with UV resistant PVC cement.

Notes:

- Pergola joists can sometimes be attached to the side of a house or other structure with 2x6 joist hangers onto a ledger attached to the house.
- In some cases pergolas can be surface mounted on a patio or a deck using surface mounted posts.
- Be sure to allow end space on the posts, beams, joists, and laterals to be able to attach end caps.